

**G Clone™**  
Series

# Instruction Manual

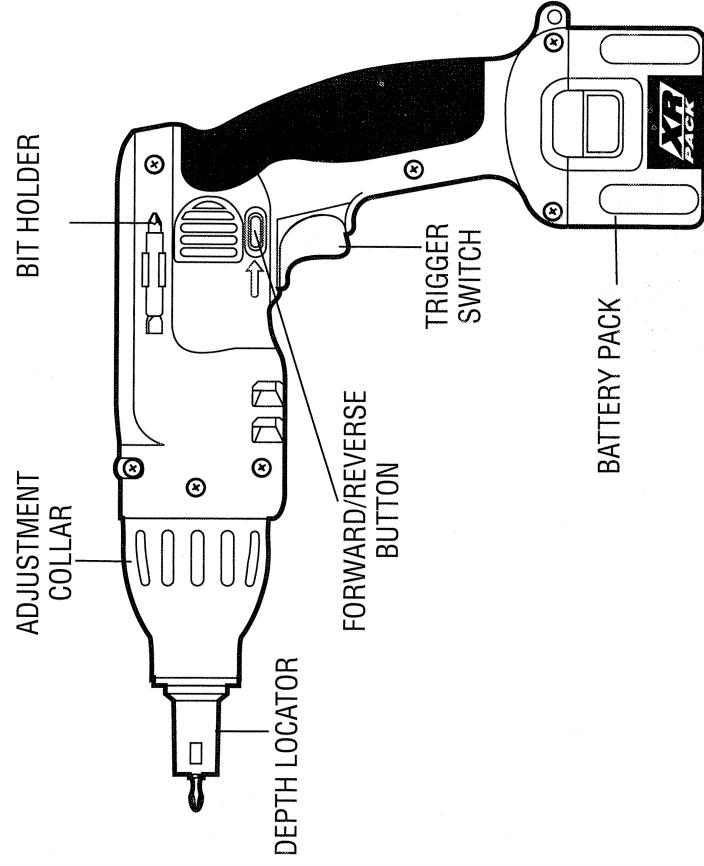
2802

Drywall Screwdriver

## Getting the most out of your tool.

Please take time to read this manual and pay particular attention to the safety rules we've provided for your protection. If you have any questions about your tool please call:

**1-800-9-BD TOOL**  
**(1-800-923-8665)**



**2802 12.0 Volt Depth Sensitive Screwdriver (0-800 RPM) (0-2300 RPM)**

## FOR YOUR SAFETY - ALL TOOLS

**WARNING:** When using electric tools, basic safety precautions should always be followed to reduce risk of fire, electric shock, and personal injury, including the following:

### READ ALL INSTRUCTIONS

- **KEEP WORK AREA CLEAN.** Cluttered areas and benches invite injuries.
- **CONSIDER WORK AREA ENVIRONMENT.** Don't expose power tools to rain. Don't use power tools in damp or wet locations. Keep work area well lit.
- **GUARD AGAINST ELECTRIC SHOCK.** Prevent body contact with grounded surfaces; for example, pipes, radiators, ranges, and refrigerator enclosures.
- **KEEP CHILDREN AWAY.** All visitors should be kept away from work area. Do not let visitors contact tool.
- **STORE IDLE TOOLS.** When not in use, tools should be stored in dry, and high or locked-up place — out of reach of children.
- **DON'T FORCE TOOL.** It will do the job better and safer at the rate for which it was intended.
- **USE RIGHT TOOL.** Don't force small tool or attachment to do the job of a heavy duty tool. Don't use tool for purpose not intended; for example, don't use circular saw for cutting tree limbs or logs.
- **DRESS PROPERLY.** Do not wear loose clothing or jewelry. They can be caught in moving parts. Rubber gloves and non-skid footwear are recommended when working outdoors. Wear protective hair covering to contain long hair.
- **USE SAFETY GLASSES.** Also use face or dustmask if operation is dusty.
- **DON'T ABUSE CORD.** Never carry tool by cord or yank it to disconnect from receptacle. Keep cord from heat, oil, and sharp edges.
- **SECURE WORK.** Use clamps or a vise to hold work. It's safer than using your hand and it frees both hands to operate tool.
- **DON'T OVERREACH.** Keep proper footing and balance at all times.

- **MAINTAIN TOOLS WITH CARE.** Keep tools sharp and clean for better and safe performance. Follow instructions for lubricating and changing accessories. Keep handles dry, clean, and free from oil and grease.
- **DISCONNECT OR LOCK OFF TOOLS** when not in use, before servicing, and when changing accessories, such as blades, bits, cutters.
- **REMOVE ADJUSTING KEY AND WRENCH.** Form habit of checking to see that key and adjusting wrench is removed from tool before turning it on.
- **AVOID UNINTENTIONAL STARTING.** Don't carry tool with finger on the switch. Be sure the switch is off when charging.
- **STAY ALERT.** Watch what you are doing. Use common sense. Do not operate tool when you are tired.
- **CHECK DAMAGED PARTS.** Before further use of the tool, a guard or other part that is damaged should be carefully checked to determine that it will operate properly and perform its intended function. Check for alignment of moving parts, binding of moving parts, breakage of parts, mounting, and any other conditions that may affect its operation. A guard or other part that is damaged should be properly repaired or replaced by an authorized service center unless otherwise indicated elsewhere in this instruction manual. Have defective switches replaced by authorized service center. Do not use tool if switch does not turn it on and off.
- **DO NOT OPERATE** portable electric tools near flammable liquids or in gaseous or explosive atmospheres. Motors in these tools normally spark, and the sparks might ignite fumes.
- When driving into walls, floors or wherever live electrical wires may be encountered, **DO NOT TOUCH ANY METAL PARTS OF THE TOOL!** Hold the tool only by the insulated grasping surfaces to prevent electric shock if you drive into a live wire.

## **SAVE THESE INSTRUCTIONS FOR FUTURE USE**

## **Important Safety Instructions for Battery Chargers**

- This manual contains important safety and operating instructions.
- Before using charger, read all instructions and cautionary markings on (1) charger, (2) battery pack, and (3) product using battery pack.
- **DANGER:** 120 volts present at charging terminals. Do not probe with conductive objects. Danger of electric shock or electrocution.
- **DANGER:** If battery pack case is cracked or damaged, do not insert into charger. Danger of electric shock or electrocution.
- The charger and battery pack are specifically designed to work together. **DO NOT** attempt to charge the battery pack with any chargers other than the ones in this manual.
- Do not expose charger to rain or snow.
- These chargers are not intended for any uses other than charging B&D rechargeable batteries. Any other uses may result in risk of fire, electric shock or electrocution.
- To reduce risk of damage to electric plug and cord, pull by plug rather than cord when disconnecting charger.
- Make sure cord is located so that it will not be stepped on, tripped over, or otherwise subjected to damage or stress.
- An extension cord should not be used unless absolutely necessary. Use of improper extension cord could result in risk of fire, electric shock, or electrocution.
- An extension cord must have adequate wire size (AWG or American Wire Gauge) for safety. The smaller the gauge number of the wire, the greater the capacity of the cable, that is 16 gauge has more capacity than 18 gauge. When using more than one extension to make up the total length, be sure each individual extension contains at least the minimum wire size.

### Recommended Minimum AWG Size for Extension Cords

#### Total Extension Cord Length (feet):

Wire Gauge	18	18	16	16	100	125	150	175
	25	50	75	100	125	14	14	12

- The charger is ventilated through slots in the top and the bottom of the housing. Do not place any object on top of charger or place the charger on a soft surface that might block the ventilation slots and result in excessive internal heat. Place the charger in a position away from any heat source.
- Do not operate charger with damaged cord or plug — have them replaced immediately.
- Do not operate charger if it has received a sharp blow, been dropped, or otherwise damaged in any way; take it to an authorized service center.
- Do not disassemble charger; take it to an authorized service center when service or repair is required. Incorrect reassembly may result in a risk of electric shock, electrocution or fire.
- To reduce risk of electric shock, unplug charger from outlet before attempting any cleaning. Removing the battery pack will not reduce this risk.
- **NEVER** attempt to connect 2 chargers together.
- **DO NOT** store or use the tool and battery pack in locations where the temperature may reach or exceed 105°F (such as outside sheds or metal buildings in summer).
- The charger is designed to operate on standard household electrical power (120 volts). Do not attempt to use it on any other voltage!

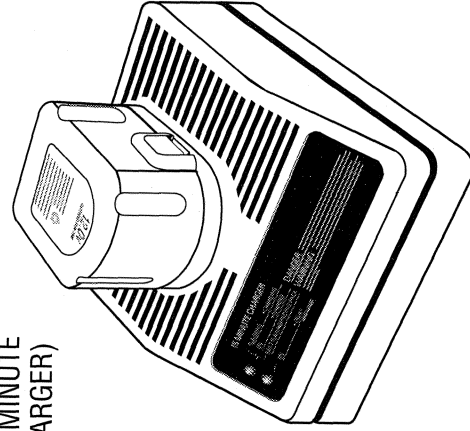
### Important Safety Instructions for Battery Packs

The battery pack is not fully charged out of the carton! First read the safety instructions below. Then follow charging notes and procedures.

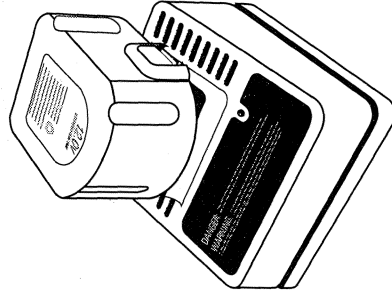
#### READ ALL INSTRUCTIONS

- Do not incinerate the battery pack even if it is severely damaged or is completely worn out. The battery pack can explode in a fire.
- A small leakage of liquid from the battery pack cells may occur under extreme usage or temperature conditions. This does not indicate a failure. However, if the outer seal is broken and this leakage gets on your skin:
  - a. Wash quickly with soap and water.
  - b. Neutralize with a mild acid such as lemon juice or vinegar.
  - c. If battery liquid gets into your eyes, flush them with clean water for a minimum of 10 minutes and seek immediate medical attention. (Medical note: The liquid is 25-35% solution of potassium hydroxide.)
- Never attempt to open the battery pack for any reason. If the plastic housing of the battery pack breaks or cracks, immediately discontinue use and do not recharge.
- Do not carry extra battery packs in aprons, pockets, or tool boxes along with other metal objects. Battery pack could be short circuited causing damage to the battery pack and possibly causing severe burns or fire.
- Charge the battery packs only in B&D chargers.
- **NOTE:** Review and observe all of the “Important Charging Notes” in the charger instruction section of this manual.
- **NOTE:** The batteries in your battery pack are the nickel-cadmium type. Cadmium is considered to be a toxic material by the Environmental Protection Agency. Before disposing of damaged or worn out Nickel-Cadmium battery packs, check with your state Environmental Protection Agency to find out about special restrictions on the disposal of these battery packs or return them to a B&D service center for recycling.

98020  
(15 MINUTE  
CHARGER)



98014 & 97014  
(1 HOUR CHARGERS)



## Battery Packs

Your tool uses a 12.0 Volt battery pack. When ordering replacement battery packs, be sure to include catalog number and voltage (12.0 Volt - cat.# 97150).

XR PACK™ Extended Run-Time battery packs deliver 25% more run-time than standard battery packs.

## Chargers (98014, 97014, & 98020)

Your battery can be charged in the 98014, 97014 (1 Hour Chargers) or the 98020 (15 Minute Charger). Be sure to read all safety instructions before using your charger.

## Charging Procedure

The 98014 and 97014 chargers are designed to charge B&D battery packs in about 1 hour. The 98020 charger is designed to charge B&D battery packs in about 15 minutes. These chargers require no adjustment and are designed to be as easy as possible to operate. Simply place your battery pack into the receptacle of a plugged in charger (Figure 1) and it will automatically charge the pack.

### 98014 and 97014 (1 Hour Chargers)

1. Plug the charger into an appropriate AC power outlet.
2. Insert the battery pack into the charger, as shown in Figure 1, making sure the pack is fully seated in the charger. The red (charging) light will blink continuously indicating that the charging process has started.
3. The battery pack will be fully charged in about 1 hour. The completion of charge will be indicated by the red light remaining ON continuously. The pack is fully charged and may be used at this time or left in the charger.

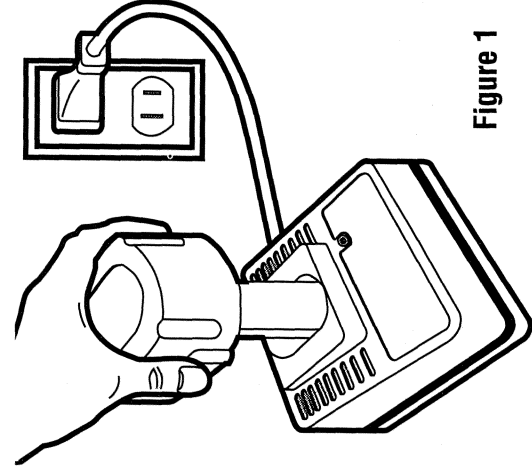


Figure 1

### 98020 (15 Minute Charger)

1. Plug the charger into an appropriate AC power outlet. The charger will beep twice, the red light will blink and go off.
2. Insert the battery pack into the charger, making sure the pack is fully seated in the charger. The red light will blink and the charger will beep once indicating the charging process has started.
3. The battery pack will be fully charged in less than 15 min. under most conditions. This will be indicated by the red light remaining ON and 3 beeps. The pack is fully charged and may be used at this time or left in the charger.

**Leaving the battery pack in the charger:** When the red light remains ON, the charger has switched to its "equalize charge" mode which lasts approximately 4 hours, after which the charger will switch to "maintenance charge" mode. The battery pack can be removed at any time during these charge cycles, but will only be fully charged if the red light is continuously ON. The charger and battery pack can be left connected with the red light glowing indefinitely. The charger will keep the battery pack fresh and fully charged. A battery pack will slowly lose its charge when kept out of the charger. If the battery pack has not been kept on maintenance charge, it may need to be recharged before use. A battery pack may also slowly lose its charge if left in a charger that is not plugged into an appropriate AC source.

**Trouble Indicators:** These chargers are designed to detect certain problems that can arise with battery packs which would be indicated by the red light flashing at a fast rate and continuous beeping. If this occurs, re-insert battery pack. If problem persists, try a different battery pack to determine if the charger is OK. If the new pack charges correctly, then the original pack is defective and should be returned to a service center for recycling. If the new battery pack elicits the same trouble indication as the original, have charger tested at an authorized service center.

**Weak Battery Packs:** (98020). The charger can also detect a weak battery. Such batteries are still usable but should not be expected to perform as much work. In such cases, about 10 seconds after battery insertion, the charger will beep rapidly 8 times to indicate a weak battery condition. The charger will then go on to charge the battery to the highest capacity possible.

### Installing and Removing the Battery Pack

**NOTE:** Make sure your battery pack is fully charged. To install the battery pack into the tool handle, align the base of the tool with the notch inside the tool's handle (Figure 2) and slide the battery pack firmly into the handle until you hear the lock snap into place.

To remove the battery pack from the tool, press the release buttons and firmly pull the battery pack out of the tool handle (Figure 3). Insert it into the charger as described in the charger section of this manual.

Figure 2

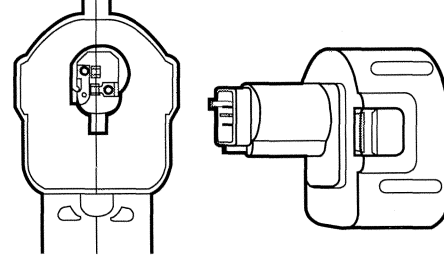
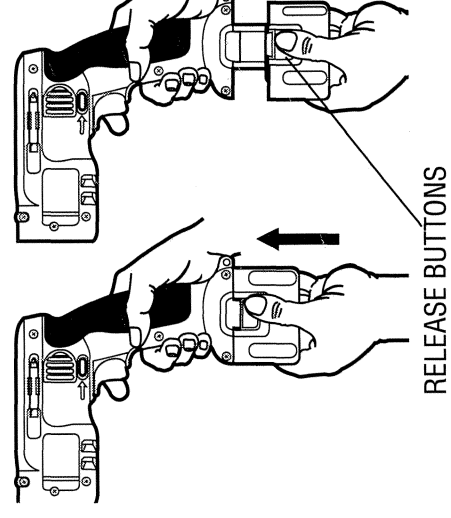


Figure 3



RELEASE BUTTONS



## Important Charging Notes

1. Longest life and best performance can be obtained if the battery pack is charged when the air temperature is between 65°F and 75°F (18° - 24°C). DO NOT charge the battery pack in an air temperature below +40°F(+4.5°C), or above +105°F (+40.5°C). This is important and will prevent serious damage to the battery pack.
2. The charger and battery pack may become warm to touch while charging. This is a normal condition, and does not indicate a problem.
3. **(98020 ONLY)** This charger has an internal temperature limit that, when exceeded, will temporarily stop the full charge current. This is indicated by the yellow light being ON. The normal charge cycle will resume when the temperature falls below the preset limit and will be indicated by the yellow light turning OFF. The charge time may be extended beyond the normal 15 minutes. Use the charger in normal room temperatures whenever possible. To prevent overheating, do not cover the charger and do not charge battery packs in direct sunlight or near heat sources.
4. If the battery pack does not charge properly — (1) Check current at receptacle by plugging in a lamp or other appliance, (2) Check to see if receptacle is connected to a light switch which turns power off when you turn out the lights. (3) Move charger and battery pack to a location where the surrounding air temperature is approximately 65°F - 75°F (18° - 24°C). (4) If charging problems persist, take or send the tool, battery pack and charger to your local service center.
5. The battery pack should be recharged when it fails to produce sufficient power on jobs which were easily done previously. DO NOT CONTINUE to use under these conditions. Follow the charging procedure. You may also charge a partially used pack whenever you desire with no adverse affect on the battery pack.

6. Under certain conditions, with the charger plugged in to the power supply, the exposed charging contacts inside the charger can be shorted by foreign material. Foreign materials of a conductive nature such as, but not limited to, steel wool, aluminum foil, or any buildup of metallic particles should be kept away from charger cavities. Always unplug the charger from the power supply when there is no battery pack in the cavity. Unplug charger before attempting to clean.

7. Do not freeze or immerse charger in water or any other liquid.
8. **WARNING:** Don't allow any liquid to get inside charger. Electric shock may result. To facilitate the cooling of the battery pack after use, avoid placing the charger or battery pack in a warm environment such as in a metal shed, or an uninsulated trailer.
9. **CAUTION:** Never attempt to open the battery pack for any reason. If the plastic housing of the battery pack breaks or cracks, return to a service center for recycling.

### Important!

This product is not user servicable. There are no user servicable parts inside the charger. Servicing at an authorized service center is required to avoid damage to static sensitive internal components.

**READ ALL OF THE INSTRUCTIONS IN THE BATTERY CHARGER SECTION OF THIS MANUAL BEFORE ATTEMPTING TO CHARGE THE BATTERY PACK FOR YOUR TOOL.**

### **Variable Speed Switch**

To turn the tool ON, squeeze the trigger switch. To turn the tool OFF release the trigger.

Your tool is equipped with a variable speed switch which enables you to select the best speed for a particular application. The farther you squeeze the trigger, the faster the tool will operate. Use lower speeds for starting holes without a centerpunch, driving in metals or plastics, driving screws, or in any application requiring high torque. Higher speeds are better for driving in wood, wood compositions and for using abrasive and polishing accessories. For maximum tool life, use variable speed only for starting holes or fasteners.

### **Forward/Reverse Control Button**

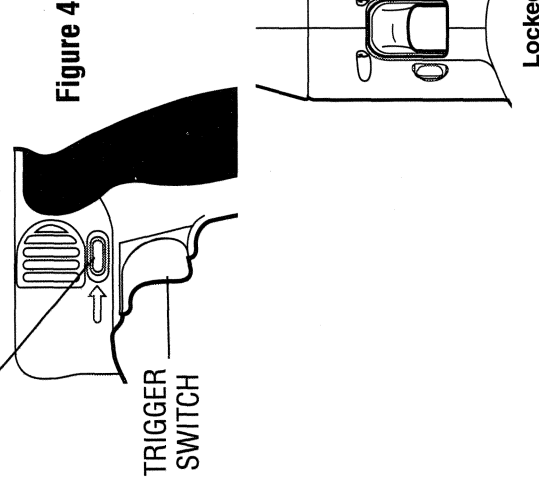
A forward/reverse control button determines the direction of the tool and also serves as a "lock off" button.

To select forward rotation, release the trigger switch and depress the forward/reverse control button on the right side of the tool, as shown in Figure 4. To select reverse, depress the forward/reverse control button on the left side of the tool. The center position of the control button locks the tool in the OFF position. When changing the position of the forward/reverse control button, be sure the trigger is released.

### **Dead Spindle Action**

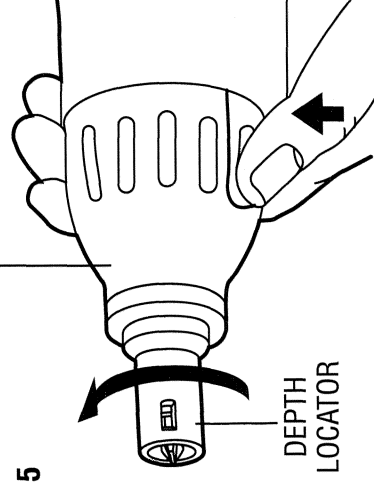
All B&D screwdrivers provide a "dead" front spindle to permit fasteners to be located in the driving accessory. Clutches are held apart by light spring pressure, permitting the drilling clutch to rotate without turning the driven clutch and accessory. When sufficient forward pressure is applied to the unit, the clutches engage and rotate the spindle and accessories.

PRESS FOR REVERSE



Locked

ADJUSTMENT COLLAR





## Accessory Assembly

The 1/4" hex drive ball lock chuck is used on all depth sensitive and drywall screwdrivers. Assemble accessories by engaging the hex spindle and tapping lightly on the accessory until it snaps into place. Usually pliers are required to remove the accessory by pulling forward.

## Depth Adjustment

1. Rotate adjustment collar (Figure 5). Clockwise rotation will provide deeper seating of screws.
2. Test drive a fastener in scrap material to determine if fastener is correctly seating. Further adjustment may be necessary.
3. To increase depth, turn adjustment collar so that end of bit extends further from end of locator.
4. To decrease depth, turn adjustment collar so that end of bit is closer to the end of locator.

B&D screwdrivers have very fine depth settings; each "click" is .007". One complete revolution of the locator collar equals .083" change in depth setting.

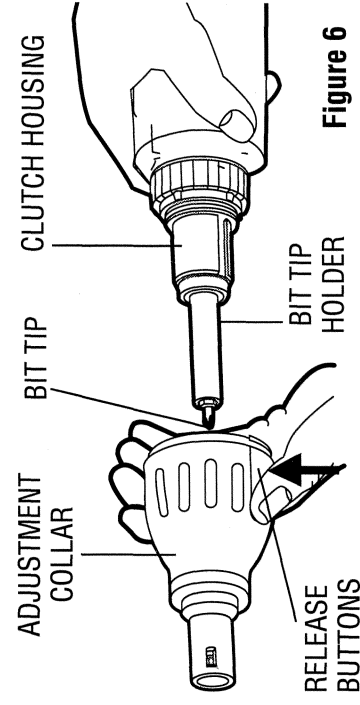


Figure 6

## Changing Bit Holder

1. Press release buttons and remove collar from clutch housing.
2. Pull bit holder straight out with pliers if it is difficult to remove.
3. Push new bit holder into spindle until ball lock snaps in groove in bit holder shank.
4. Align ribs on inside of depth locator with grooves in clutch housing before snapping into place.
5. Depth locator is removable by unscrewing dust seal.

## Changing Bit Tip

1. Press release buttons and remove collar from clutch housing. (See Figure 6)
2. Use pliers to remove worn bit and install new bit tip.

## Operation: Depth Sensitive Units

1. Install bit tip in bit holder or install nutsetter.
2. Adjust depth locator.
3. Check for correct rotation, start screwdriver and place screw on bit.
4. Contact work surface, applying forward pressure to drive screw until depth locator contacts the work surface. Screwdriver will ratchet automatically, disengaging bit from screw.
5. This depth sensitive screwdriver is suitable for driving drywall screws when operated in high speed, and deck screws when operated in low speed.

## Tips For Driving Screws Into Decks

(Switch unit to low speed)

1. Select proper length deck screws to ensure complete anchoring into the wood.
2. Although the screwdriver will drive drywall screws into decks, we recommend screws specifically designed for deck assembly. Other fasteners may not drive as well or hold as satisfactorily.
3. When using the screwdriver for the first time to drive screws into pressure-treated lumber, practice driving some screws in scrap material to get a “feel” and to adjust for proper seating depth. It will be significantly easier to guide and control the screw if 1/8" pilot holes are pre-drilled. This pre-drilling is recommended at the board ends to avoid splitting the lumber.
4. Once a screw has started driving, do not stop the screwdriver until the screw is seated. Keep firm pressure on the screwdriver. Because of the high driving torque required in pressure-treated wood, the head of the deck screw may strip if the screwdriver user fails to maintain steady pressure on the bit.
5. More pressure can be applied to the bit if the screwdriver is gripped by sliding the thumb and index finger along the side of the tool near the top. Actuate the trigger with middle finger and/or fourth finger. B&D has designed recesses along the top sides of your screwdriver to allow for a comfortable grip.
6. Before driving deck screws, check that there is no gap between the boards to be fastened together.
7. Avoid driving screws through knots. Screws are difficult to start into knots. If a knot can't be avoided, first drill a pilot hole equal in diameter to the body diameter of the deck screw.
8. Keep a few additional bits on hand before starting any job.

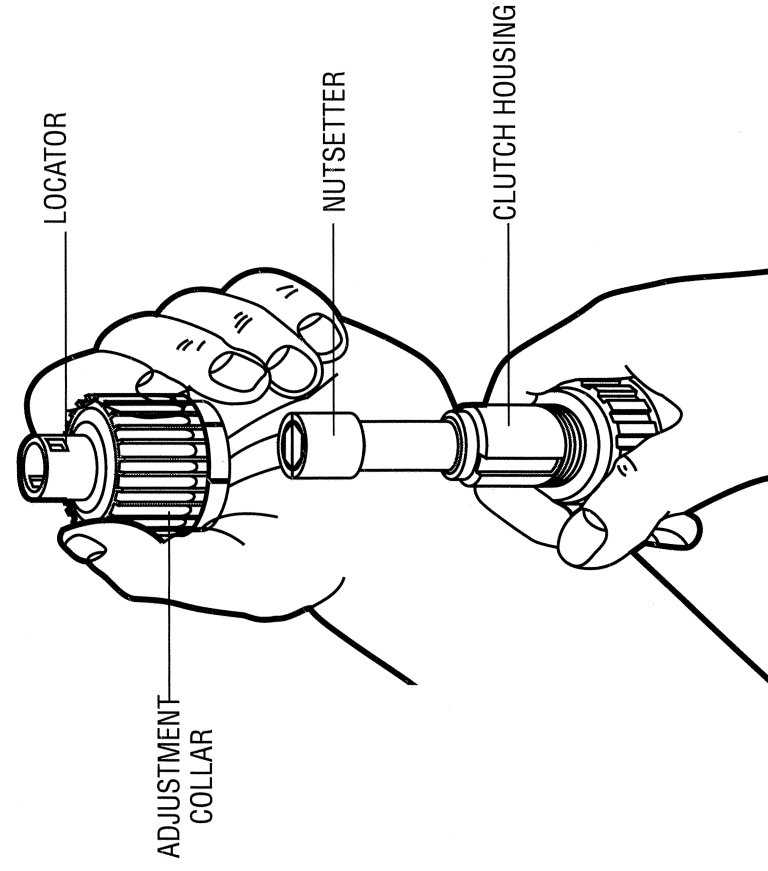
## Installing and Changing Nutsetters and Locators

1. Select nutsetter size desired.
2. One locator is supplied (a 9/16" ID for 3/8" and 5/16" nutsetters).
3. Drop nutsetter into nose of locator and wrap the end of nutsetter until ball lock snaps in groove in nutsetter shank.
4. To change the nutsetter or locator, pull forward on adjustment collar and remove clutch from housing.
5. Pull nutsetter straight out with pliers if it is difficult to remove.
6. Assemble nutsetter as shown in Figure 7.
7. Reassemble adjustment collar. Align ribs on inside of depth locator with grooves in clutch housing.

## Depth Adjustment on Depth Sensitive Units for Drill Point Screws

1. For washer head screws: Rotate adjustment collar until end of nutsetter is flush with end of locator.
2. For large washer head and sealer screws: adjust as above until nutsetter is recessed approximately 1/16" into the locator.
3. Test drive a fastener in scrap material to determine if seating is correct.
4. Readjust if necessary.

Figure 7



## Maintenance

### CLEANING

With the motor running, blow dirt and dust out of all air vents with dry air at least once a week. Wear safety glasses when performing this. Exterior plastic parts may be cleaned with a damp cloth and mild detergent. Although these parts are highly solvent resistant, NEVER use solvents.

Depth locator and adjustment collar should be removed and dust blown out of clutch area housing at least once a week.

### Important

To assure product SAFETY and RELIABILITY, repairs, maintenance and adjustment (including brush inspection and replacement) should be performed by authorized service centers or other qualified service organizations, always using identical replacement parts.

### Accessories

Recommended accessories for use with your tool are available at extra cost from your distributor or your local service center. Service centers are listed in this manual.

**CAUTION:** The use of any non-recommended accessory may be hazardous. If you need any assistance in locating any accessory, call 1-800-9-BD TOOL (1-800-923-8665) or contact Black & Decker, Consumer Services Department, P.O. Box 618, 626 Hanover Pike, Hampstead, MD 21074.

Every B&D tool is of the highest quality.  
If you wish to contact us regarding this product, please call toll  
free between 8:00am and 8:00pm ET, seven days a week.

**1-800-9-BD TOOL**  
(1-800-923-8665)

### **One Year Free Maintenance**

All B&D tools for Industry and Construction are covered under a one year free maintenance program where B&D will inspect your tool for safety and provide necessary maintenance or repairs, including normal wear and tear parts, for one year, FREE OF CHARGE.

### **Full Warranty**

All B&D tools for Industry and Construction are warranted to be free of any defects in materials or workmanship. Upon thorough examination of tool, B&D will repair or replace, at our option, any product that is determined to be defective.

### **Conditions**

The service/safety check and the warranty do not apply to: repairs made or attempted by anyone other than an authorized B&D service location; misuse, abuse, neglect, improper application of the tool; missing parts; or normal wear and tear (after first year of ownership). Please return the complete unit, transportation prepaid, to any B&D factory owned or B&D authorized service center location (list provided with tool or see yellow pages under "Tools Electric").

## **YOUR POWER TOOLS MAY BE SERVICED AT THE FOLLOWING BLACK & DECKER SERVICE DEPOTS.**

**ALBERTA**  
Edmonton T5M1V1, 11440 142nd St. .... 403-453-2373

**BRITISH COLUMBIA**  
Vancouver V5M3Y7, 1735 Boundry Rd ..... 604-291-9942

**MANITOBA**  
Winnipeg R3H0K3, 934 St. James St. .... 204-783-7294

**NOVA SCOTIA**  
Halifax B3K2A4, 6100 Young St. .... 902-453-5090

**ONTARIO**  
Brockville K6V5W6, 100 Central Ave. .... 613-342-6641  
London N6E3A9, 981 Wellington Rd #6 ..... 519-649-2407  
Mississauga L4X1L3, 1480 Dundas St.E#6 ..... 905-277-0011  
North York M3J3H1, 48 Kodiak Cros. .... 416-635-6740

**QUÉBEC**  
Montréal H1Y1B4, 3061 Bélanger ..... 514-722-1021

## YOUR POWER TOOLS MAY BE SERVICED AT THE FOLLOWING B&D SERVICE CENTERS.

ALABAMA:	Area Code	Phone Number	Area Code	Phone Number
Birmingham 35209, 2412 Green Springs Hwy. . . . .	205-942-0538		216-449-2770	
Mobile 36608, 3831 Airport Blvd. . . . .	205-343-6624		216-942-9100	
<b>ALASKA:</b>				
Anchorage 99518, 910 West International Airport Rd. . . . .	907-563-4664		419-531-8921	
<b>ARIZONA:</b>				
Mesa 85202, 535 S. Dobson, Suite 7, 602-461-1074			405-232-7515	
Phoenix 85013, 4501 N. 7th Avenue . . . . .	602-279-6414		918-622-5666	
Tucson 85712, 4845 E. Speedway Blvd. . . . .	602-323-3388			
<b>ARKANSAS:</b>				
Little Rock 72201, 519 W. Seventh St. . . . .	501-372-3040			
<b>CALIFORNIA:</b>				
Anaheim 92806, 540 South State College Blvd. . . . .	714-772-4050			
Concord 94520, 1500 Monument Blvd., #C2 . . . . .	510-682-4880			
Fresno 93710, 5412 North Blackstone Ave. . . . .	209-435-0810			
Long Beach 90805, 2011 South St. . . . .	310-422-5825			
Los Angeles 90040, 4820 South Eastern Ave., Suite "L" . . . . .	213-720-1834			
Riverside 92506, 6215 Magnolia Ave., Suite "B" . . . . .	909-787-9700			
Sacramento 95825, 2033 Fulton Ave. . . . .	916-972-9090			
San Diego 92123, 9270 Clairemont Mesa Blvd. . . . .	619-279-2011			
San Jose 95128, 1185 So. Bascom Ave. . . . .	408-293-7350			
San Leandro 94578, 15206 E. 14th St. . . . .	510-276-1610			
Van Nuys 91411, 14920 Victory Blvd. . . . .	818-787-5531			
<b>COLORADO:</b>				
Denver 80219, 1171 S. Federal Blvd. . . . .	303-922-8325			
<b>CONNECTICUT:</b>				
Orange 06477, 481 Boston Post Rd. . . . .	203-795-3583			
Wethersfield (Hartford) 06109, 662 Silas Dean Hwy. . . . .	203-563-5800			
<b>DISTRICT OF COLUMBIA:</b> Washington				
Colmar Manor 20722, 4153 Bladensburg Rd. . . . .	301-779-3808			
Falls Church, VA 22046, 344 W. Broad St. . . . .	703-533-7313			
<b>FLORIDA:</b>				
Ft. Lauderdale 33334, 799 E. Oakland Pk. Blvd. . . . .	305-566-5102			
Jacksonville 32205, 920 Cassat Ave. . . . .	904-781-2253			
Miami (North) 33168, 13345 N.W. Seventh Ave. . . . .	305-681-6658			
Miami (South) 33156, 12233 So. Dixie Hwy. . . . .	305-232-9497			
Orlando 32803, 3807 E. Colonial Dr. . . . .	407-894-7011			
St. Petersburg 33709, 5635 49th St., N. . . . .	813-525-0273			
Tampa 33609, 3432 W. Kennedy Blvd. . . . .	813-872-8317			
West Palm Beach 33415, 310 South Military Trail . . . . .	407-689-3247			
<b>GEORGIA:</b>				
Atlanta (South) 30349, 5330 Old National Hwy. . . . .	404-762-8844			
Smyrna 30080, 2550 Cobb Pkwy. . . . .	404-956-0869			
Stone Mountain (Atlanta) 30086, 5723 Memorial Dr. . . . .	404-292-4714			
<b>HAWAII:</b>				
Honolulu 96819, 330 Sand Island Access Road. . . . .	808-847-7447			
<b>ILLINOIS:</b>				
Des Plaines (Chicago) 60018, 1277 South Elmhurst Rd. . . . .	708-364-5220			
Lincolnwood (Chicago) 60646, 6710 N. Crawford Ave. . . . .	708-673-0923			
Lisle (West Chicago) 60532, 2950 Ogden Ave., Unit H . . . . .	708-717-1075			
Moline 61265, 4433 23rd Ave. . . . .	309-762-3000			
Oak Lawn (Chicago) 60453, 6343 W. 95th St. . . . .	708-423-7212			
<b>INDIANA:</b>				
Evansville 47710, 307 First Ave., Crescent Ctr. . . . .	812-425-4269			
Hammond 46323, 7103 Kennedy Ave. . . . .	219-845-5100			
Indianapolis 46224, 5999 Crawfordsville Rd. . . . .	317-243-8308			
<b>IOWA:</b>				
Des Moines 50310, 3427 Merle Hay Rd. . . . .	515-270-1340			
<b>KANSAS:</b>				
Wichita 67213, 155 S. West St. . . . .	316-943-1271			
<b>KENTUCKY:</b>				
Louisville 40213, 5211 Preston Hwy. . . . .	502-968-7100			
<b>LOUISIANA:</b>				
Baton Rouge 70815, 11859 Florida Blvd. . . . .	504-272-8111			
Harvey 70058, 2500 Lapalco Blvd. . . . .	504-366-8676			
Metairie (New Orleans) 70002, 3504 N. Causeway Blvd. . . . .	504-837-2550			
Shreveport 71108, 7710-7714 Jewella Rd. . . . .	318-688-1553			
<b>MARYLAND:</b>				
Baltimore (East) 21205, 4712 Edman Ave. . . . .	410-485-5550			
Baltimore (North) 21030, 29-31 Cranbrook Rd., Cockeysville . . . . .	410-666-5966			
Baltimore (South) 21122, 8220 Ritchie Hwy., Pasadena . . . . .	410-647-8456			
Colmar Manor 20722, 4153 Bladensburg Rd. . . . .	301-779-3808			
<b>MASSACHUSETTS:</b>				
Brighton (Boston) 02135, 12 Market St. . . . .	617-782-6264			
Seekonk 02771, 120 Highland Ave. . . . .	508-336-6510			
<b>MICHIGAN:</b>				
Grand Rapids 49512, 3040 28th St., S.E. . . . .	616-949-8331			
Warren 48093, 27035 Van Dyke Blvd. . . . .	313-756-6711			
Westland (Detroit) 48185, 8067 North Wayne Rd. . . . .	313-427-1520			
<b>MINNESOTA:</b>				
Bloomington (Minneapolis-St. Paul) 55420, 9517 Lyndale Ave., S. . . . .	612-884-9191			
<b>MISSOURI:</b>				
Kansas City 64111, 4324 Main St. . . . .	816-531-0629			
St. Ann (North St. Louis) 63074, 3637 North Lindbergh Blvd. . . . .	314-739-4661			
St. Louis 63131, 12852 Manchester Rd. . . . .	314-821-8740			
<b>NEBRASKA:</b>				
Omaha 68127, 4225 S. 84th St. . . . .	402-592-5666			
<b>NEVADA:</b>				
Las Vegas 89104, 3411 East Charleston Blvd. . . . .	702-641-6555			
<b>NEW JERSEY:</b>				
Cherry Hill 08034, 1444 E. Mariton Pike/Rte. 70 . . . . .	609-429-2822			
Little Falls 07424, RT 46 E. at Lower Notch Rd. . . . .	201-256-9373			
Union (Scotch Plains) 07076, 2520 Route #22 East . . . . .	908-233-5665			
<b>NEW MEXICO:</b>				
Albuquerque 87110, 5617 Menaul Blvd., N.E. . . . .	505-884-1002			
<b>NEW YORK:</b>				
Buffalo 14209, 881 W. Delavan Ave. . . . .	716-884-6220			
Centereach L.I. 11720, 2061-63 Middle Country Rd. . . . .	516-737-4706			
Elmhurst (New York) 11373, 77-20 Queens Blvd. . . . .	718-335-1042			
Latham (Albany) 12110, 836 Troy-Schenectady Rd. . . . .	518-785-1867			
Manhatten (New York) 10010, 50 West 23rd St. . . . .	212-929-6450			
Rochester 14623, 2969 W. Henrietta Rd. . . . .	716-424-1310			
Syracuse 13214, 3485 Erie Blvd., East . . . . .	315-446-3086			
Westbury L.I. (New York) 11590, 1061 Old Country Rd. . . . .	516-997-6140			
<b>NORTH CAROLINA:</b>				
Charlotte 28205, 3007 E. Independence Blvd. . . . .	704-374-1779			
Greensboro 27407, 3716 High Point Rd. . . . .	910-852-1300			
Raleigh 27604, 2930 Capital Blvd. . . . .	919-878-0357			
Cincinnati 45241, 2310 E. Sharon Rd. . . . .	513-772-3111			
Columbus 43227, 3975 E. Livingston Ave. . . . .	614-237-0461			
Dayton 45409, 2898 S. Dixie Dr. . . . .	513-298-1951			
<b>OHIO:</b>				
Mayfield Heights (East Cleveland) 44124, 5881 Mayfield Rd. . . . .	216-449-2770			
Panama Heights (Cleveland) 44130, 6483 Pearl Rd. . . . .	216-942-9100			
Toledo 43607, 3231 Dorr St. . . . .	419-531-8921			
<b>OKLAHOMA:</b>				
Oklahoma City 73106, 1318 Linwood Blvd. . . . .	405-232-7515			
Tulsa 74145, 3120 S. Sheridan Rd. . . . .	918-622-5666			
<b>OREGON:</b>				
Portland 97209, 1640 N.W. Johnson St. . . . .	503-228-8631			
<b>PENNSYLVANIA:</b>				
Evans City 16033, 20808 Rt. 19 North. . . . .	412-779-9600			
Harrisburg 17112, 6080 Allentown Blvd. . . . .	717-545-0651			
Lancaster 17601, 118 Keller Ave. . . . .	717-393-5251			
Philadelphia 19103, 333 N. 20th St. . . . .	215-564-5520			
Philadelphia (North) 19115, 9977-81 Bustleton Ave. . . . .	215-464-7771			
Pittsburgh 15232, 5437 Baum Blvd. . . . .	412-362-2700			
Whitehall (Allentown) 18052, 2242 MacArthur Rd. . . . .	610-435-9544			
<b>PUERTO RICO:</b>				
Puerto Nuevo . . . . .	809-783-3535			
<b>RHODE ISLAND:</b>				
See Seekonk, MA				
<b>SOUTH CAROLINA:</b>				
Greenville 29607, 1557 Laurens Rd. . . . .	803-232-3038			
<b>TENNESSEE:</b>				
Knoxville 37917, 4118 N. Broadway. . . . .	615-688-0921			
Memphis 38116, 1085 East Brooks Rd. . . . .	901-332-3444			
Nashville 37211, 4811 Nolensville Rd. . . . .	615-833-8277			
<b>TEXAS:</b>				
Amarillo 79106, 3008 West 6th Ave. . . . .	806-373-1531			
Austin 78757, 6549 Burnet Rd. . . . .	512-459-1133			
Dallas 75229, 2257 Royal Ln. . . . .	214-620-6655			
El Paso 79915, 6822 Gateway East. . . . .	915-778-9789			
Fort Worth 76111, 721 North Beach St. . . . .	817-831-3828			
Houston 77022, 536 E. Tidwell Rd. . . . .	713-692-7111			
Houston (S.W.) 77025, 9319 Stella Link Blvd. . . . .	713-664-3666			
San Antonio 78201, 500 Culebra Ave. . . . .	210-732-1221			
<b>UTAH:</b>				
Salt Lake City 84115, 1541 S. Third West St. . . . .	801-486-5628			
<b>VIRGINIA:</b>				
Falls Church 22046, 344 W. Broad St. . . . .	703-533-7313			
Norfolk 23513, 7631 Sewells Point Rd. . . . .	804-480-3333			
Richmond 23222, 1424 Chamberlayne Ave. . . . .	804-649-9245			
<b>WASHINGTON:</b>				
Seattle 98108, 421 S. Michigan St. . . . .	206-763-2010			
Spokane 99208, N. 7011 Division St. . . . .	509-467-8190			
Tacoma 98409, 2602 S. 38th St. . . . .	206-473-6040			
<b>WEST VIRGINIA:</b>				
Charleston 25312, 1638 Sixth Ave. . . . .	304-349-0289			
<b>WISCONSIN:</b>				
Milwaukee (Wauwatosa) 53226, 10424 West Bluemound Rd. . . . .	414-453-4240			



---

**Black & Decker (U.S.) Inc. • 701 East Joppa Road, Towson, Maryland 21286**

Printed in U.S.A. (JUL94-CO-1) Form No. 159362 Copyright © 1994